

## Customer Approval Sheet

<b>Application</b>				
<b>Model No.</b>				NUE PACK LIPO 3.7V 2400mAh 1S1P 784860 8.88Wh
<b>Part Number</b>				NUE11SJJ7848602X4A
<b>CPN</b>				
<b>Issued By</b>	<b>Checked By</b>	<b>Approved By</b>	<b>Customer Confirmation</b>	
BT	VN	JZ		



## 2.0 Scope

The specification shall be applied to the Lithium-ion Polymer (LIP) rechargeable battery pack which is supplied by NuEnergy Storage Technologies

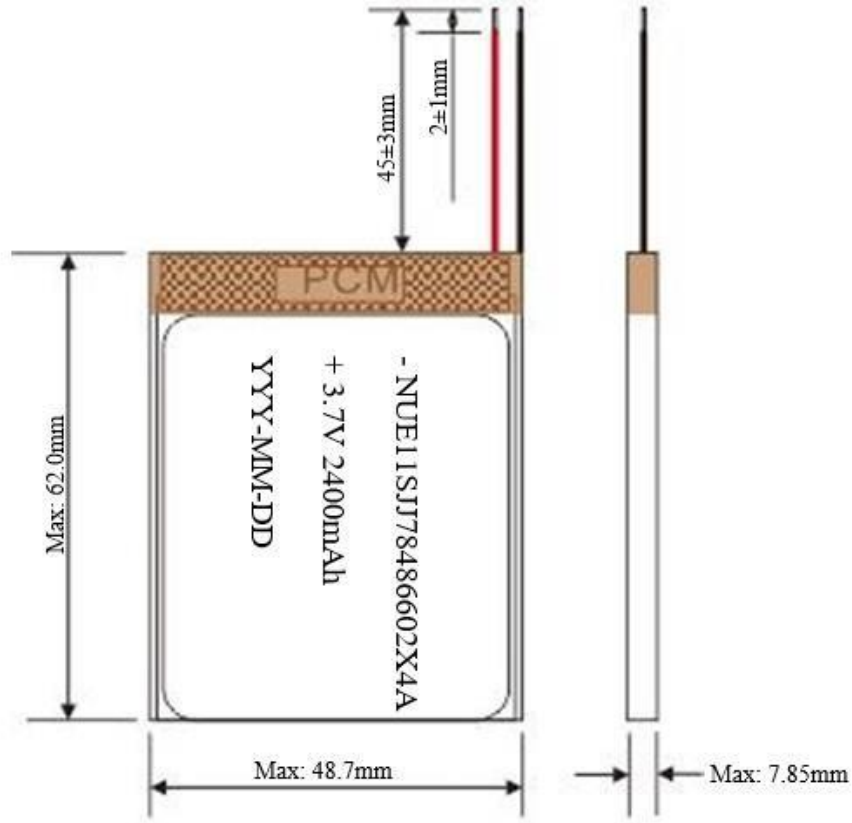
### Reference standard

GB/T 18287-2013                      IEC/EN61960                      UL1642

## 3.0 Basic Product Information

Items	Parameter
Battery model	784860
Design scheme	S8261G2J +8205A*2
Nominal voltage	3.7V
Minimum capacity	2400mAh(0.2C discharge)
Typical capacity	2450mAh(0.2C discharge 放)
Charging voltage	4.2V
Discharging cut-off voltage	3.0V
Standard charging	0.2C /4.2V
Max charging	1.0C /4.2V
Standard discharging	0.2C/3.0V
Max discharging	1.0C/3.0V
Weight	Appr: 46.0g
Shipment voltage	≥3.90V
Battery pack impedance	≤140mΩ
Operating temperature	Charging: 0°C ~ 45°C
	Discharging: -20°C ~55°C
Storage (At 50% SOC and specified temp, recoverable capacity in % vs time. )	-10°C~25°C                      (12 months, ≥85% )
	-10°C ~45°C                      (6 months, ≥85% )
	-10°C~55°C                      (1 month, ≥90% )
	20±5°C is the recommended storage temperature
Visual Inspection	There should not be any remarkable scratches, cracks, bolts, cauterization, deformations, swelling , leakage and so on on the surface of the cell.

**4.0 Battery Outline Drawing**



**BOM (Bill of materials)**

NO.	Material Name	Specification	Qty	Remark
1	Cell	784860/2400mAh/3.7V	1	RoHS
2	Protection board	PCB4045	1	RoHS
3	Wire	Red Wire UL1571#22	1	RoHS
		Black Wire UL1571#22	1	RoHS

## 5.0 Electrical Characteristics

No.	Items	Test Method	Criteria
1	Standard Charge	Charging the cell initially with constant current at 0.2C and then with constant voltage at 4.2V till charge current declines to 0.02C.	N/A
2	Minimal Capacity	The capacity means the discharge capacity of the cell, which is measured with discharge current of 0.2C with 3.0V cut-off voltage after the standard charge.	$\geq 2400\text{mAh}$
3	Charge/Discharge Cycle	The capacity on 0.2C discharge shall be measured after 700 cycles of 0.2C charge and discharge at $23\pm 2^\circ\text{C}$ .	Capacity $\geq 80\%$
4	Retention Capability	After full charging, storing the battery 28 days with $20 \pm 5^\circ\text{C}$ condition, and then staying 1 hours with discharge current of 0.2C till 3.0V cut-off voltage.	Capacity $\geq 85\%$

### Typical Capacity:

Capacity refers to the average discharge capacity of the cell. This is measured with discharge current of 0.2C with 3.0V cut-off voltage after the standard charge at  $23\pm 2^\circ\text{C}$  environment temperature, unit : mAh.

## 6.0 Condition Adapting Characteristics

No.	Items	Test Method	Criteria
1	Constant temperature and Humidity	After standard charging, put cell into the box that the temperature is $40\pm 2^{\circ}\text{C}$ and the humidity ranges between 90~95% for 48hours, then put it at $23\pm 2^{\circ}\text{C}$ for 2hours, then discharge with current of 0.2C to the cut-off voltage.	No distortion, no rust, no leakage, no venting, no rupture, no fire, no explosion, the discharge time is not less than 3hrs.
2	High Temperature Performance Test	After full charging ,put the cell into box with high temperature of $55^{\circ}\text{C}\pm 2^{\circ}\text{C}$ for 2h, then discharge with current of 1.0C to the cut-off voltage.	No distortion, no rupture, no fire, no smoke, or leakage Discharge time $\geq 51\text{min}$
3	Low Temperature Performance Test	After full charging ,put the cell into box with low temperature of $-10\pm 2^{\circ}\text{C}$ for 16~24h, then discharge with current of 0.2C to the cut-off voltage.	No distortion, no rupture, no fire, smoke, or leakage Discharge time $\geq 3\text{h}$

## 7.0 Cell Safety Performance

No.	Items	Test Method	Criteria
1	Cell Overcharge	After discharge to limit voltage, charged at constant current of 3C and constant voltage of 4.6V, While voltage reaches to the max ,if charging continued over 7 hours or temperature is 20% less than the top, stop the test.	No explosion and no fire.
2	External Short-circuit Test	Cell terminals are short-circuited to discharged state less than 0.1V or longer time with a resistance of 50mΩ or less. Tests are to be conducted at room temperature.	No explosion and no fire.
3	Over-Discharge Test	Cell is discharged at a current of 1C rate for 2.5 hours. (If current stops by safety or passive circuit on the battery, test is finished.).	No explosion and no fire.
4	Crush Test	Crush between two flat plates. Applied force is about 13kN.	No explosion and no fire.
5	Impact Test	Impact between bar (15.8mm diameter) and 9.1Kg falling material (at a height of 6.1cm). Bar is laid across the center of the test sample.	No explosion and no fire.

# PRODUCT SPECIFICATION

6	Drop	<p>After standard charging, the cell is to be dropped from a height of 1.2meter onto a thickness of 20mm board, dropped once in the positive and negative directions of three mutually perpendicular X, Y, Z axes.</p>	<p>No leakage, no smoke, no fire, no explosion.</p>
7	Vibration Test	<p>Fixed the fully charged cell to vibration table and subjected to vibration cycling that the frequency is to be varied at the rate of 1Hz per minute between 10Hz and 55Hz, the excursion of the vibration is 0.8mm. The cell shall be vibrated for 90 ~100minutes per axis of XYZ axes.</p>	<p>No explosion, no fire. no leakage.</p>
8	Heating	<p>After standard charging, put cell in the baking oven and start , the temperature of the oven is to be raised at a rate of <math>5\pm 2^{\circ}\text{C}</math> per minute to a temperature of <math>130\pm 2^{\circ}\text{C}</math> , remain for 30minutes at that temperature.</p>	<p>No explosion and no fire.</p>



## 8.0 Pack Safety Performance

No.	Items	Test Method	Criteria
1	Overcharge protection	After battery charge finished, then charge the battery for 8 hours with a power which can provide 2 times more than nominal voltage and 2C5A current.	No fire, no explosion. The electrical properties are normal.
2	Over discharge protection	After the battery is fully charged, discharge at 20±5°C conditions with 0.2C5A until the battery voltage drops to the over discharge voltage, then discharge with a 30Ω resistor for 24 hours.	No fire, no explosion. The electrical properties are normal.
3	Short protection	After standard charging, connect the positive and negative terminals of the cell with copper wire having a maximum resistance load of 0.1 Ω at room temperature, the test is discontinued when the surface temperature lower than 10°C.	The battery shall not rupture, smoke, catch fire, or leakage. Battery Voltage ≥3.6V

## 9.0 Others

Any matters that this specification does not cover should be conferred between the customer and NuE.

## 100 Testing Requirements

Battery test environment

- Temperature:  $23 \pm 2^{\circ}\text{C}$
- Relative humidity:  $60 \pm 20\%$  RH
- Atmospheric pressure: 86~106 KPa

Measuring instrumentation requirements

- Voltage instrumentation requirements: Measuring the voltage meter accuracy no less than 0.5 magnitude
- Current instrumentation requirements: Measuring the current meter accuracy no less than 0.5 magnitude
- Time instrumentation requirements: Measuring the time meter accuracy no less than 0.1%
- Temperature instrumentation requirements: Measuring the temperature meter accuracy no less than  $0.5^{\circ}\text{C}$
- Impedance instrumentation requirements: Measuring impedance should by sinusoidal alternating (1 KHZ) test

## 110 Charge/Discharge Definitions

Fully charged definition

- With charging voltage 4.35V, current 0.2C continued to charge the cell, when charging current drops to 0.02C charging is terminated, shall be full charged.

Fully discharged definition

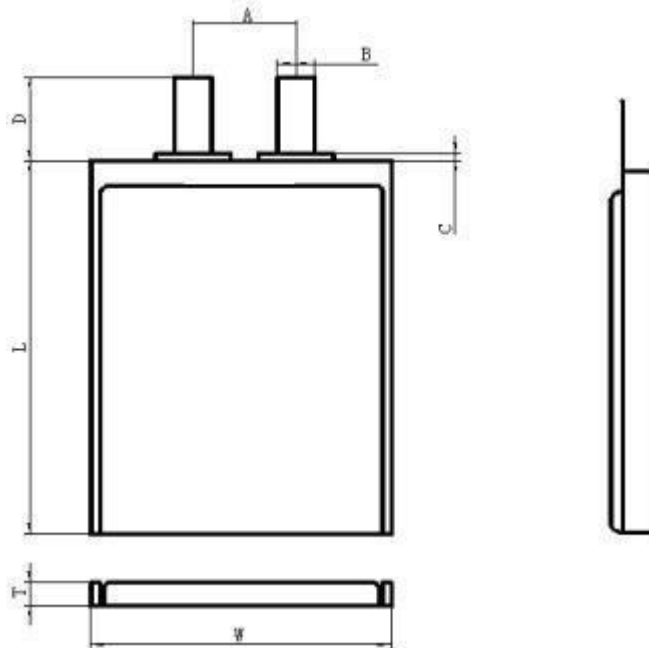
- Standard discharge current 0.2 C for continuous discharge, when the voltage drops to discharge cut-off voltage 3.0V discharge is terminated shall be full discharged.

## 12.0 Cell

### Performance Parameters

No.	Item	Specification	Remark
1	Cell minimum capacity	2400mAh	0.2C discharge
2	Initial impedance	≤40mΩ	1kHz AC Impedance
3	Nominal voltage	3.7V	/
4	Dimensions	T	7.8mm Max
		W	48.5mm Max
		L	60.5mm Max
		A	30.0±2mm
		B	5.0±0.2mm
			Thickness
			Width
			Cell length does not include Tab sealant
			Distance of tab center
			Tab width

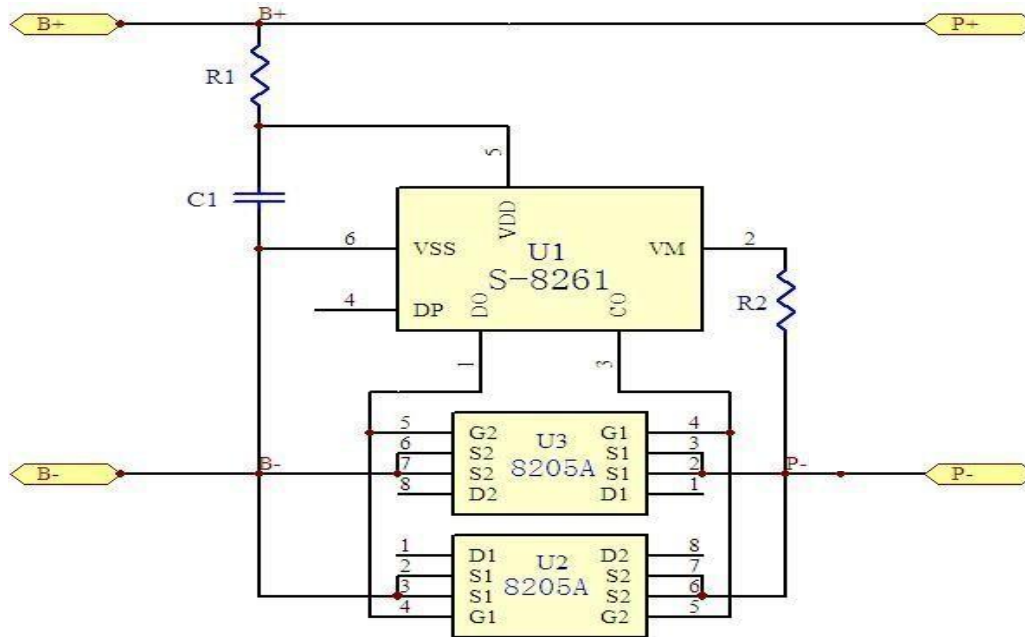
### Cell Outline Drawing



## 13.0 Electrical Protection Features

Item	Symbol	Content	Criteria
Over charge Protection	VDET1	Over charge detection voltage	4.325V±0.035V
	TvDET1	Over charge detection delay time	1.4s (MAX)
	VREL1	Over charge release voltage	4.08V±0.1V
Over discharge protection	VDET2	Over discharge detection voltage	2.5V±0.08V
	TvDET2	Over discharge detection delay time	173ms (MAX)
	VREL2	Over discharge release voltage	Charge release
Over current protection	VDET3	Over current detection voltage	150mV±15mV
	IDP	Over current detection current	MIN: 5A MAX: 10A
	TvDET3	Detection delay time	11ms (MAX)
	/	Release condition	Cut load
Short protection	/	Detection condition	Exterior short circuit
	TSHORT	Detection delay time	400µs (MAX)
	/	Release condition	Cut short circuit
Internal resistance	RDS	Main loop electrical resistance	B- P- $R_{ds} \leq 45m\Omega$
Current consumption	IDD	Current consumption in normal operation	MIN: 0.3µA MAX: 8.0µA
0V Prohibition/ 0V Allowance		Allowance	/

## 14.0 Circuit Schematic

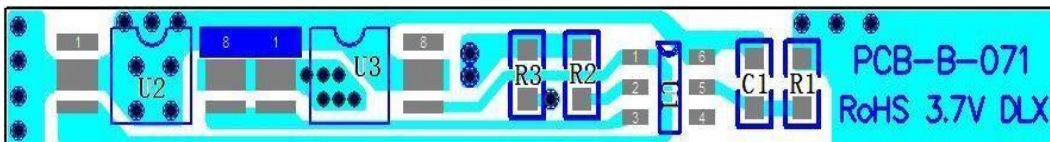


## 15.0 PCB Part List

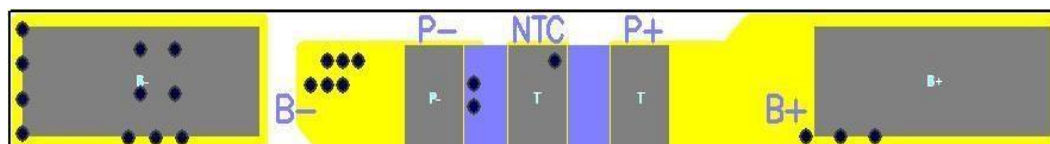
Item	Part Name	Description	QTY	Footprint	Supplier	Remark
1	U1	S-8261ABJMD-G2J	1pcs	SOT-23-6	SEIKO	
2	U2、U3	8205A	2pcs	TSSOP-8	MT	
3	R1	SMD 470Ω±5%	1pcs	0603	Any approved vendor	
4	R2	SMD 2KΩ±5%	1pcs	0603	Any approved vendor SKYWELL, YAGEO, or any	
5	C1	SMD 0.1μF±20%	1pcs	0603	Any approved vendor SKYWELL, YAGEO, or any	
6	R3	Vacant				
7	PCB	PCB4045		40*4.5*0.6mm	Any approved vendor	

## 16.0 PCB Layout

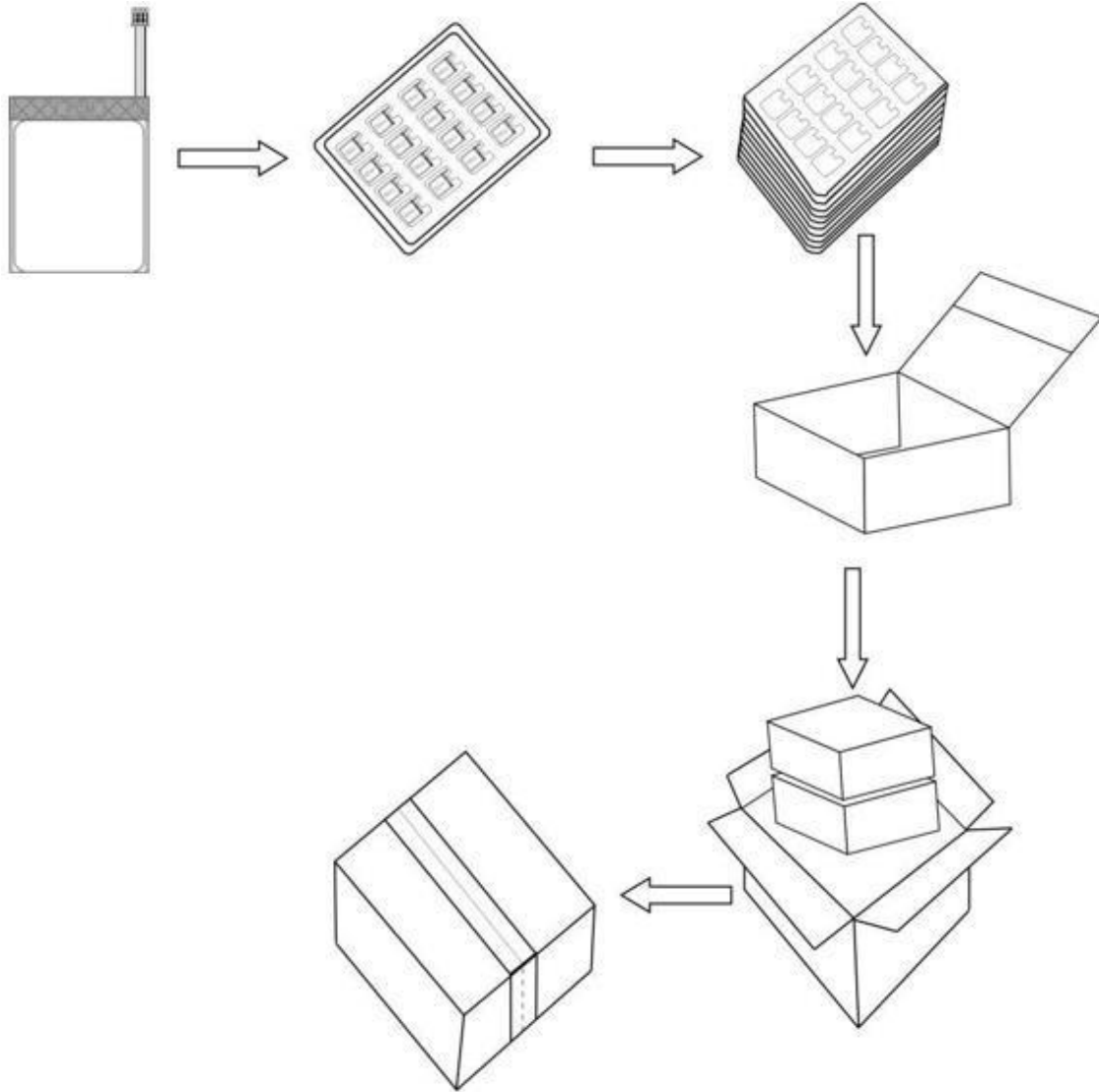
Top Layer



Bottom Layer



## 17.0 Packaging



## 18.0 Warranty and Liability

Please be sure to comply with the specifications and follow the precautions when using batteries. If the user fails to follow the specifications for the operation and any incidents are caused, NuEnergy Storage Technologies will not be liable.

NuEnergy offers a limited warranty for 1 year from the date of manufacture.

## 19.0 Battery Precautions and Safety Instructions

- Please use 0.5C current to charge up 60% capacity after the battery has been stored for more than 3 months.
- Before using the battery, carefully read the instruction manual and battery labels.
- Need to use the original battery charger and should be placed in a dry, ventilated place.
- When not in use for long periods of time, charge the battery to 50% SOC, and store battery separated from charger to prevent any short circuit conditions.
- While in use or during storage, if the battery is found to have a high temperature, leakage, odor, distortion, etc., stop using it immediately and consult with NuE.
- Do not short-circuit the battery's positive and negative leads.
- Keep the battery away from heat, high pressure, and moisture. Do not crush battery.
- Follow all local guidelines regarding proper disposal of batteries.



# PRODUCT SPECIFICATION

DATE : 11/16/20  
REV. : A0  
SHEET : 16 OF 16

## Customer Inquiry

If the client needs applications or operating conditions other than those described in this document, NuE could design and build such products according to your special request.

	Special Request	Criteria
1		
2		
3		
4		
5		
6		

Company Name : \_\_\_\_\_ Signature : \_\_\_\_\_ Date: \_\_\_\_\_